

SONY

Model: KDL-46HX729

Description: LCD TV

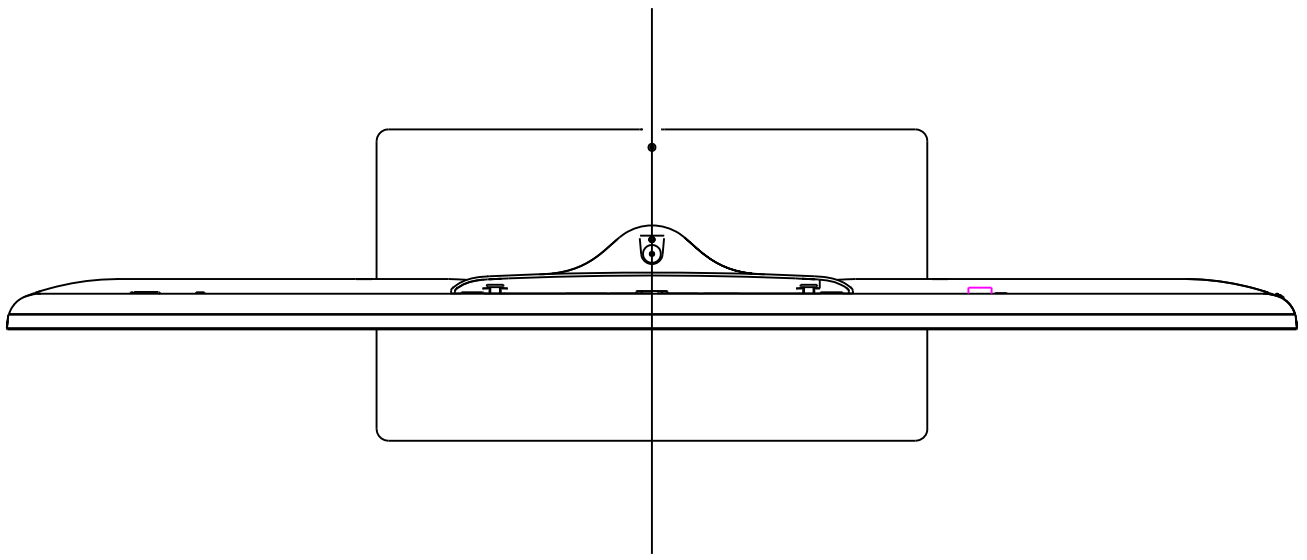
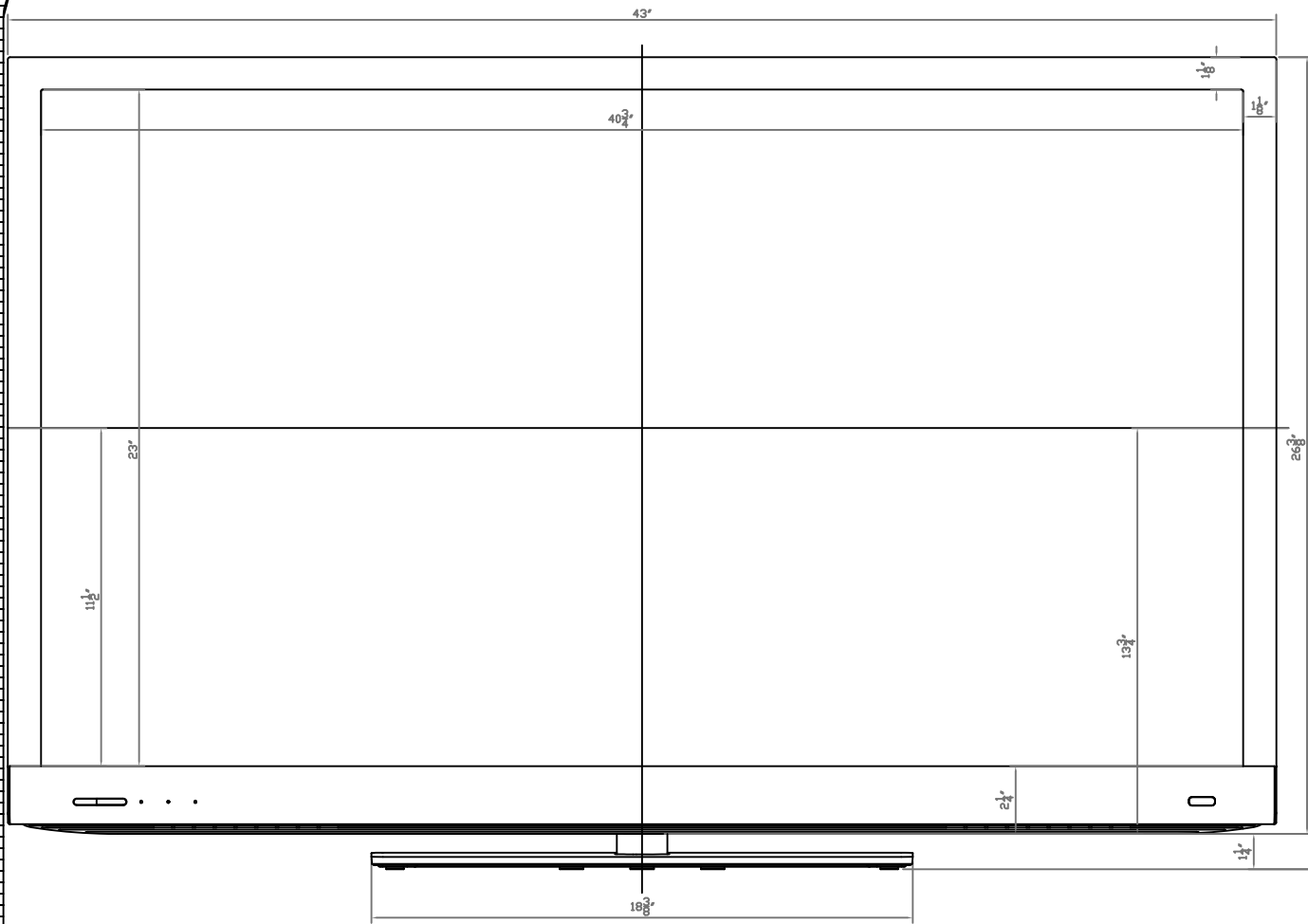
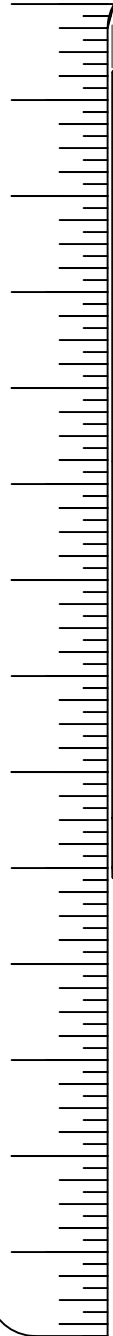
Dimensions: 49" 27 1/2" 10 3/8"

(WHD): 49" 26 3/8" 2 1/8" w/o stand

Weight: 51 lb

Carton Dimensions: tbd (WHD):

Power requirements: 120V AC 60HZ



Top

NOTE:

WHERE THERE ARE CLOSE TOLERANCES INVOLVED IN CABINET BUILDING OR APPLICATIONS WHICH REQUIRE A GREAT DEGREE OF PRECISION, WE RECOMMEND THAT THE PRODUCT ITSELF BE USED TO MAKE THE ACTUAL MEASUREMENTS. SONY WILL NOT BE HELD RESPONSIBLE FOR INACCURACIES IN THE DESIGN OR MANUFACTURE OF ENCLOSURES.

SONY

Model: KDL-46HX729

Description: LCD TV

Dimensions: 49" 27 1/2" 10 3/8"

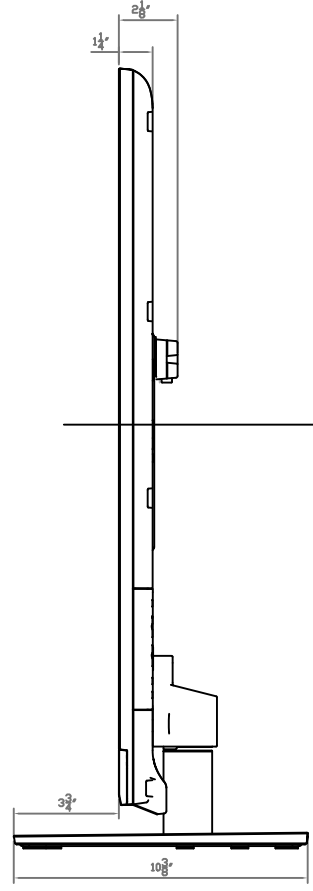
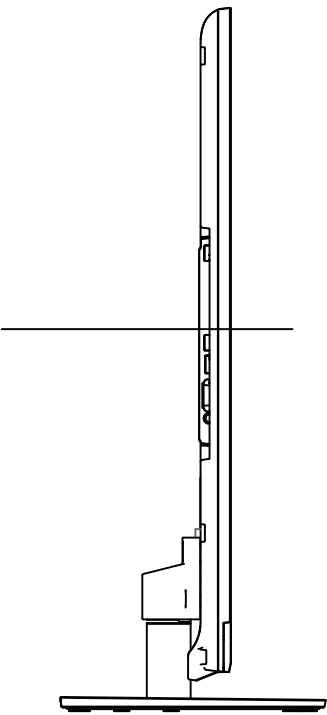
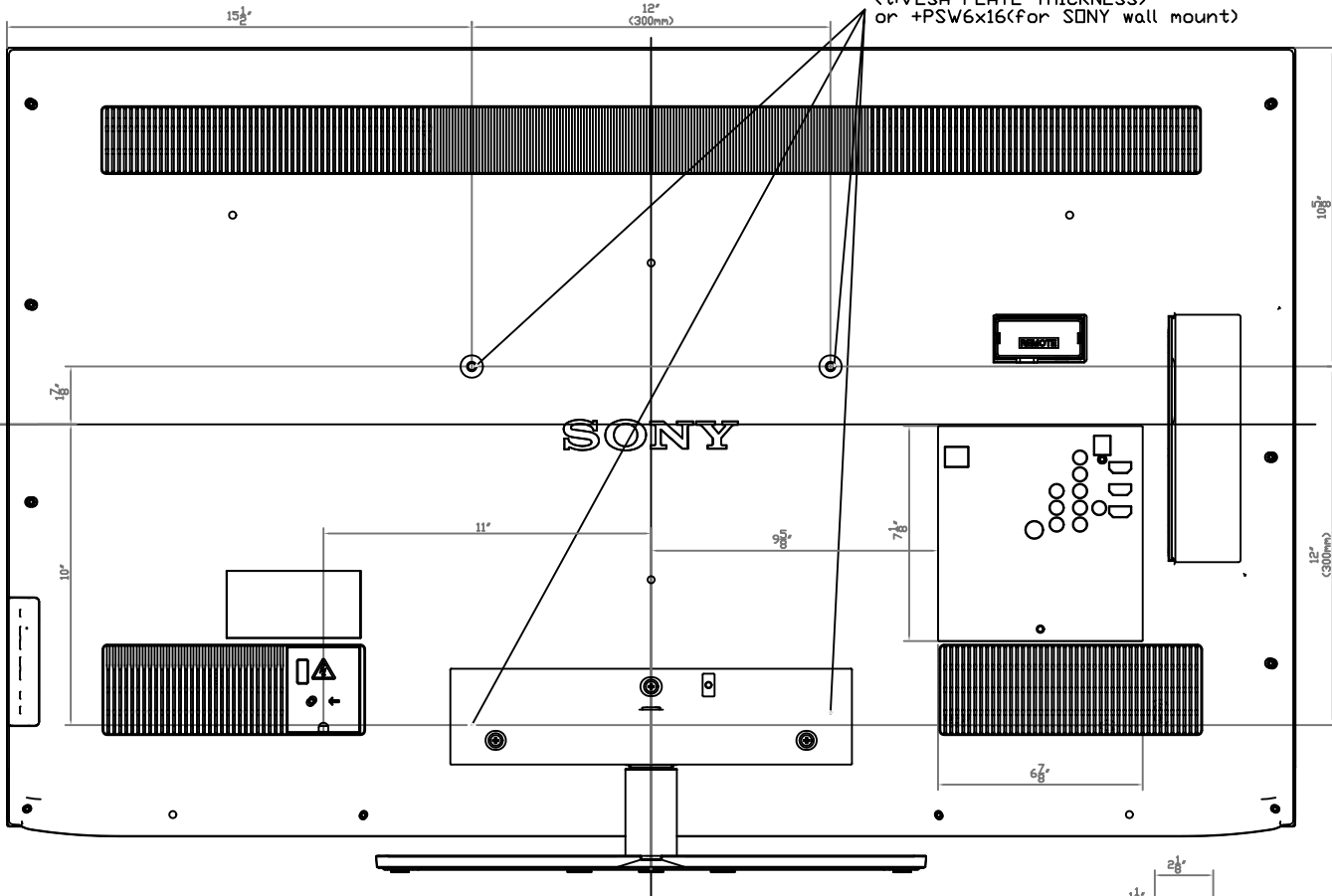
(WHD): 49" 26 3/8" 2 1/8" w/o stand

Weight: 51 lb

Carton Dimensions: tbd (WHD):

Power requirements: 120V AC 60HZ

M6x(8 to 12+t)  
(t: VESA PLATE THICKNESS)  
or +PSW6x16 (for SONY wall mount)



NOTE:

WHERE THERE ARE CLOSE TOLERANCES INVOLVED IN CABINET BUILDING OR APPLICATIONS WHICH REQUIRE A GREAT DEGREE OF PRECISION, WE RECOMMEND THAT THE PRODUCT ITSELF BE USED TO MAKE THE ACTUAL MEASUREMENTS. SONY WILL NOT BE HELD RESPONSIBLE FOR INACCURACIES IN THE DESIGN OR MANUFACTURE OF ENCLOSURES.

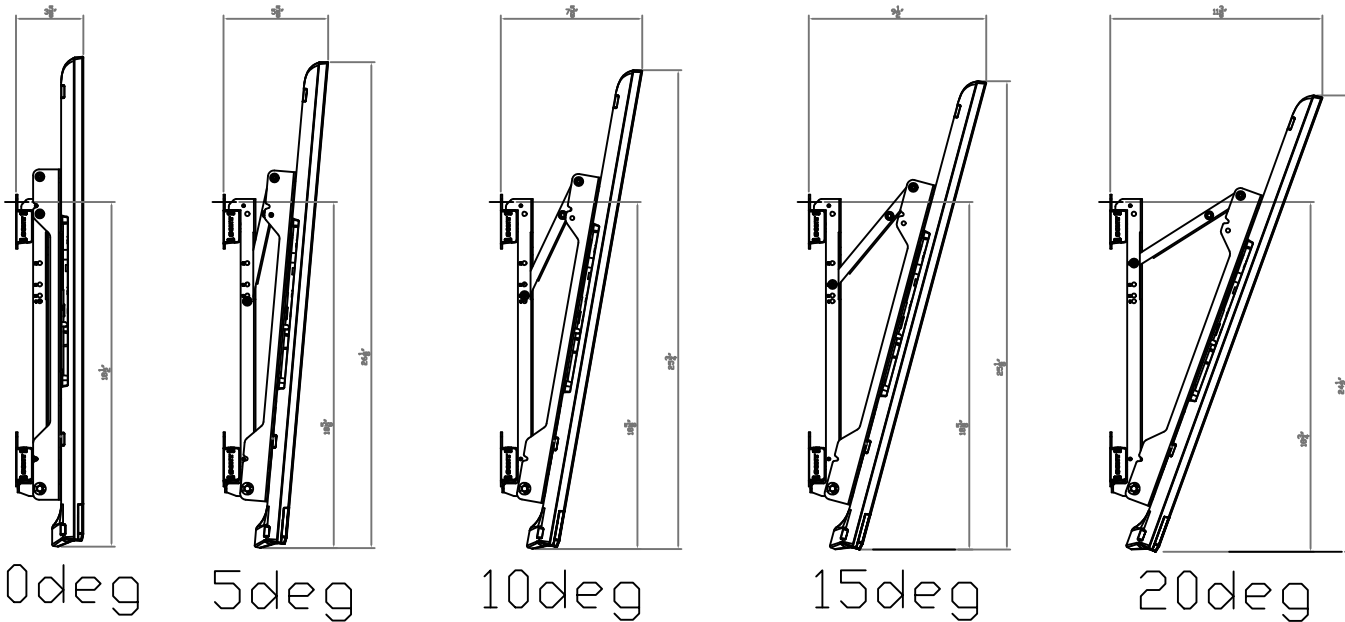
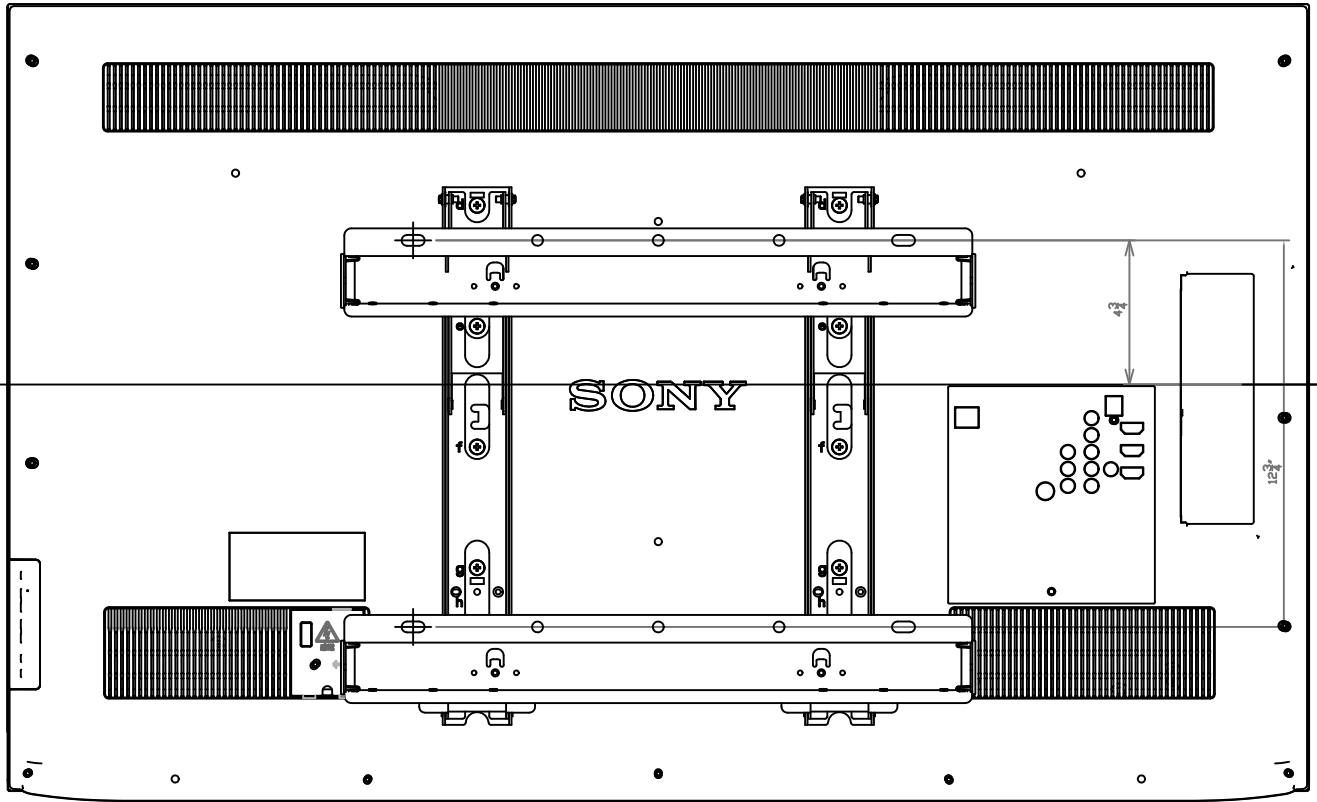
SONY

Model: KDL-46HX729

Description: LCD TV  
Dimensions: 49" 27 1/2" 10 3/8"  
(WHD): 49" 26 3/8" 2 1/8" w/o stand  
Weight: 51 lb

Carton Dimensions: tbd  
(WHD):  
stand  
Power requirements: 120V AC  
60HZ

SU-WL500



NOTE:

WHERE THERE ARE CLOSE TOLERANCES INVOLVED IN CABINET BUILDING OR APPLICATIONS WHICH REQUIRE A GREAT DEGREE OF PRECISION, WE RECOMMEND THAT THE PRODUCT ITSELF BE USED TO MAKE THE ACTUAL MEASUREMENTS. SONY WILL NOT BE HELD RESPONSIBLE FOR INACCURACIES IN THE DESIGN OR MANUFACTURE OF ENCLOSURES.