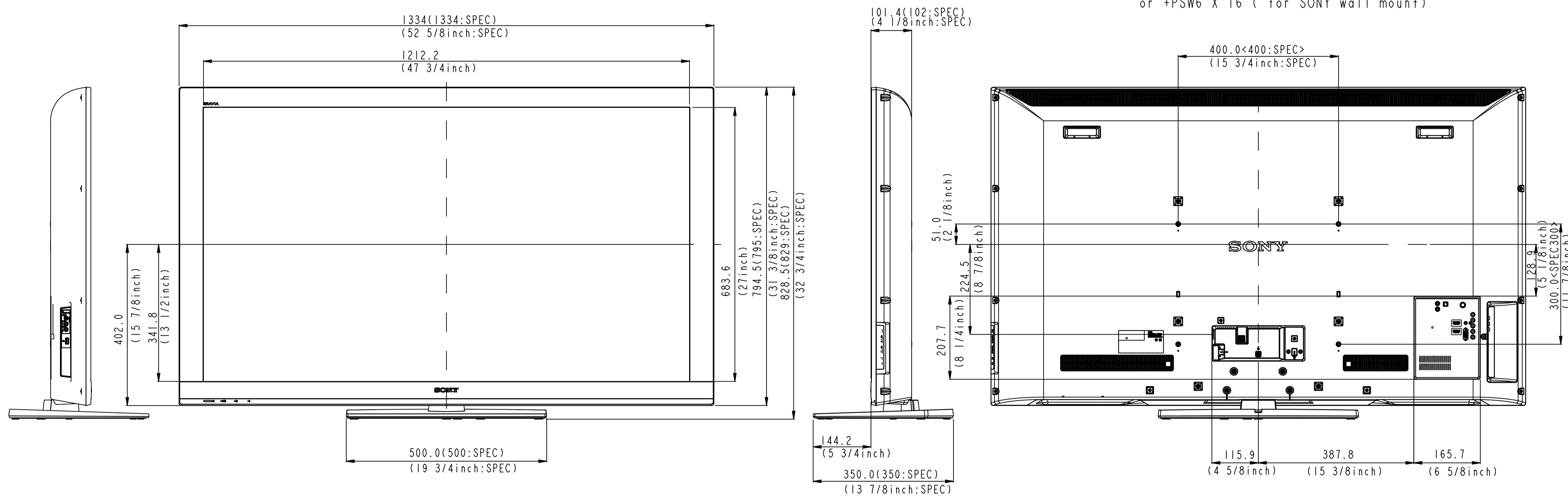
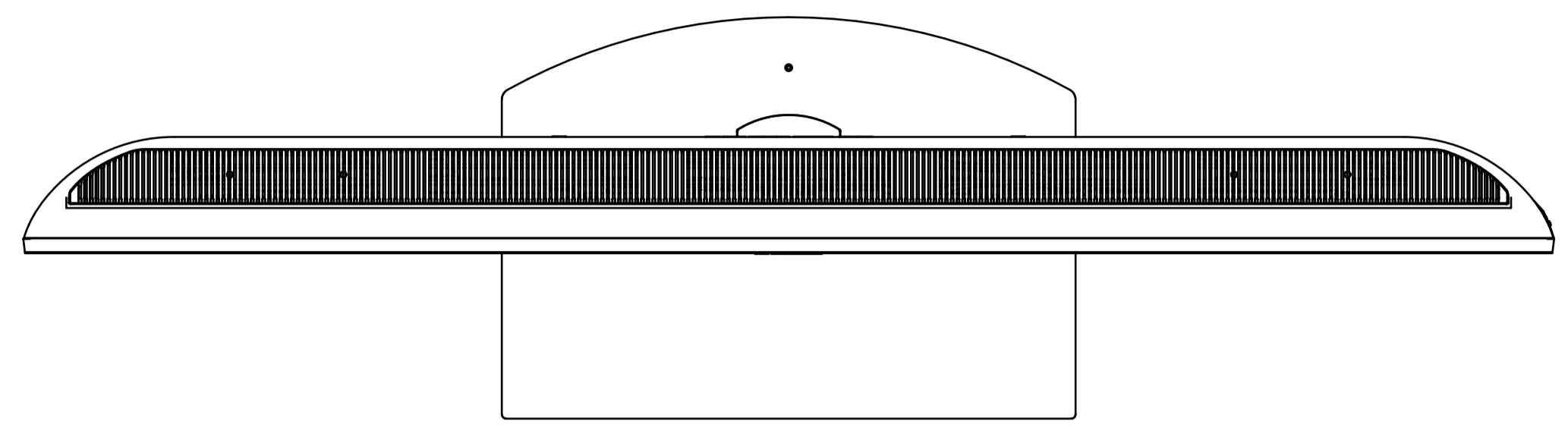


		Area			
		Value ( JAPAN )	KDL-55B X 520 ( USA/CANADA )	Value ( AEP )	Value ( G A )
Model name.					
SV No.		SV-21097			SV-21098
TV only ( W x H x D )		1334 x 795 x 102 mm/52 5/8 x 31 3/8 x 4 1/8inch			Approx. 1334 x 795 x 102 mm
TV with Stand ( W x H x D )		1334 x 829 x 350 mm/52 5/8 x 32 3/4 x 13 7/8 inch			Approx. 1334 x 829 x 350 mm
Media Receiver ( W x H x D )					
Monitor only ( W x H x D )					
Monitor with Stand ( W x H x D )					
Media Receiver with Stand ( W x H x D )					
Package Carton ( W x H x D )		△1412 x 228 x 884mm/55 5/8 x 9 x 34 7/8inch			Approx. 1414 x 232 x 883 mm
Satellite Speaker ( W x H x D )					
Stand Width ( W x H x D )		500mm/19 3/4inch			Approx. 500mm
VESA Hole Pitch		400 x 300 mm			400 x 300mm
TV only		28.5kg/62.8lb			Approx. 28.5kg
TV with Stand		32.5kg/71.6lb			Approx. 32.5kg
Media Receiver					
Monitor only					
Monitor with Stand					
Media Receiver with Stand					
Gross ( Package Carton )		38kg/83.8lb			Approx. 38kg
Gross ( Media Receiver Carton )					
Gross ( Monitor Package )					
Satellite Speaker					
Remarks					

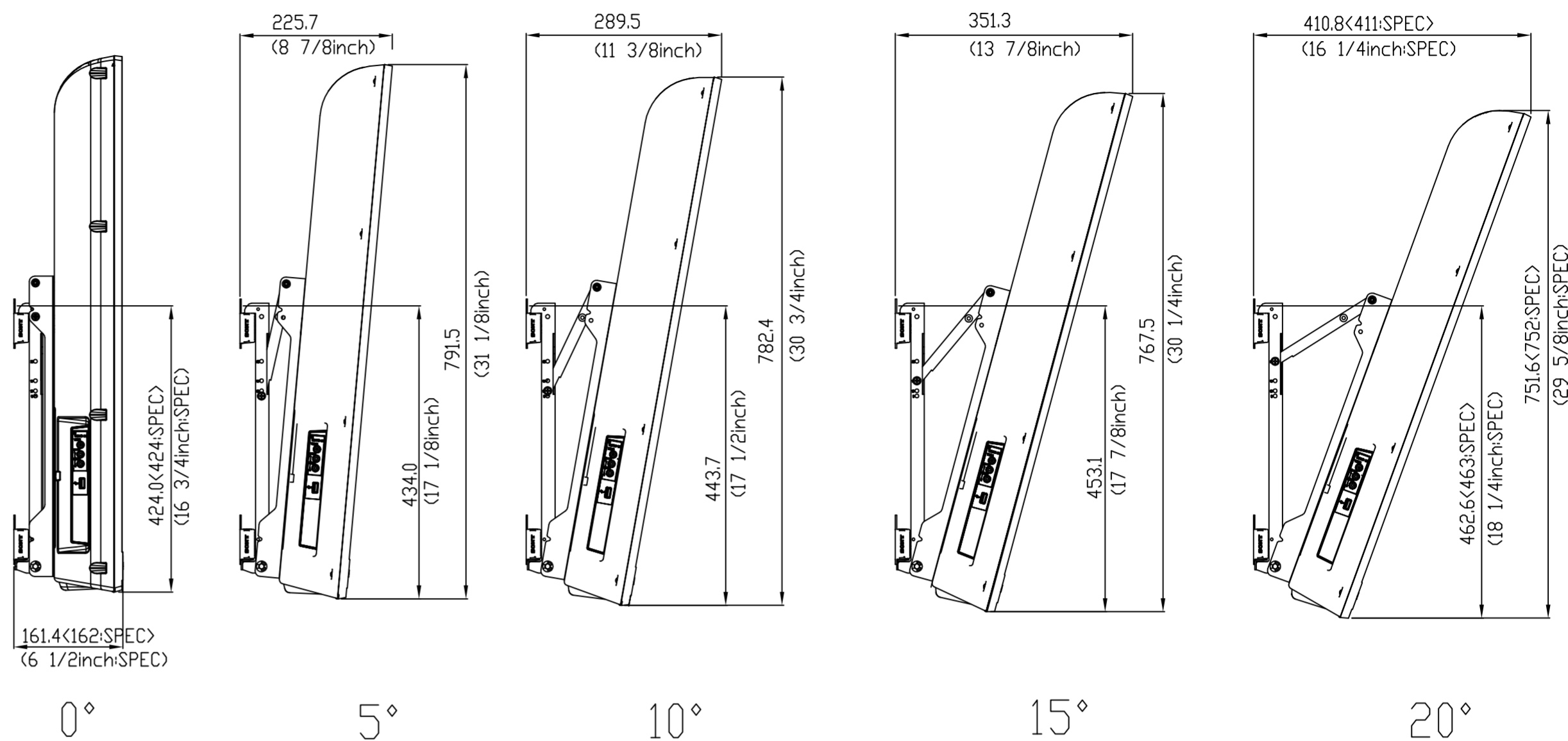
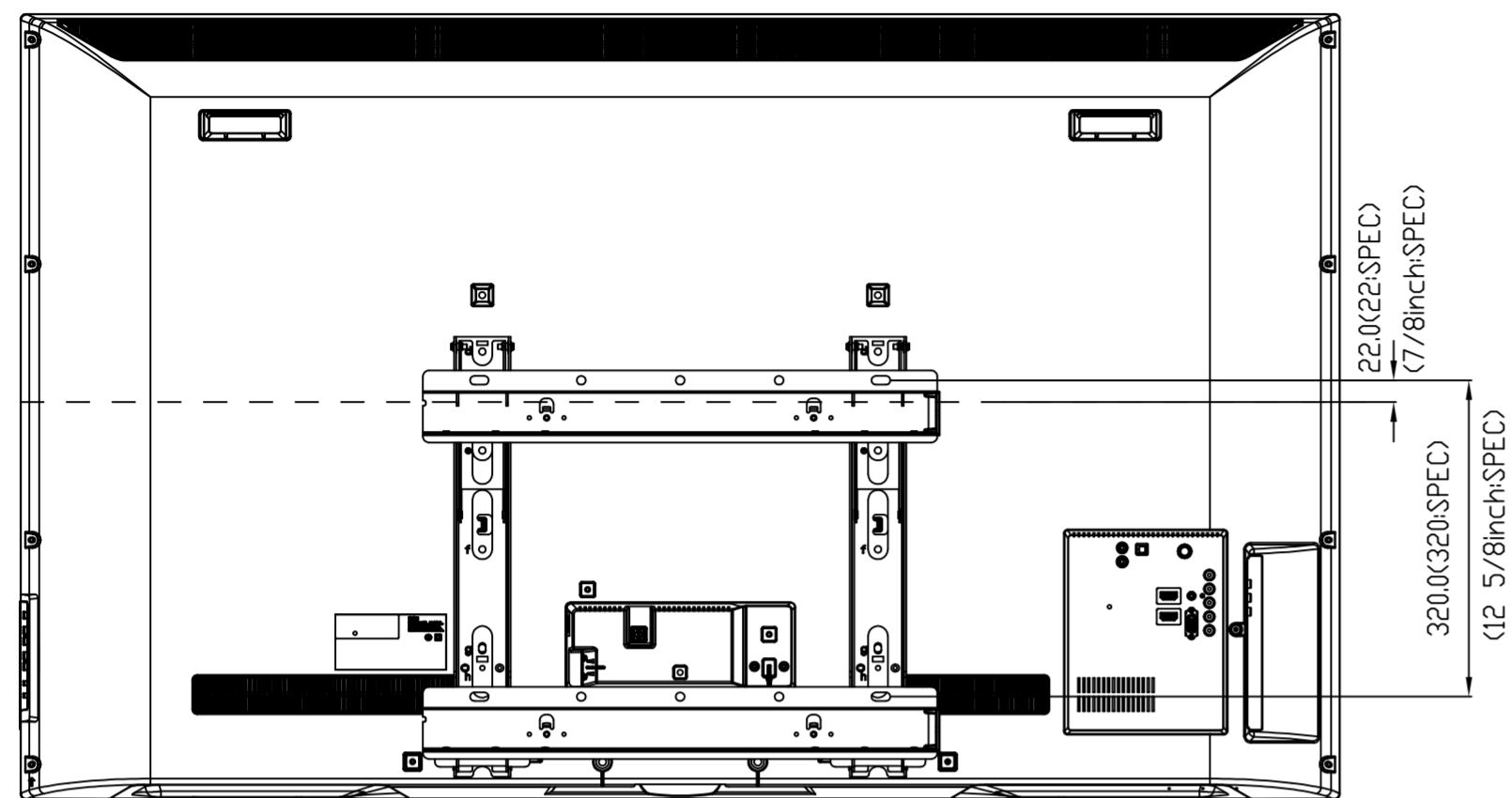


M6 x ( 8-12+ ) ( +: VESA PLATE THICKNESS )  
or +PSW6 X 16 ( for SONY wall mount )

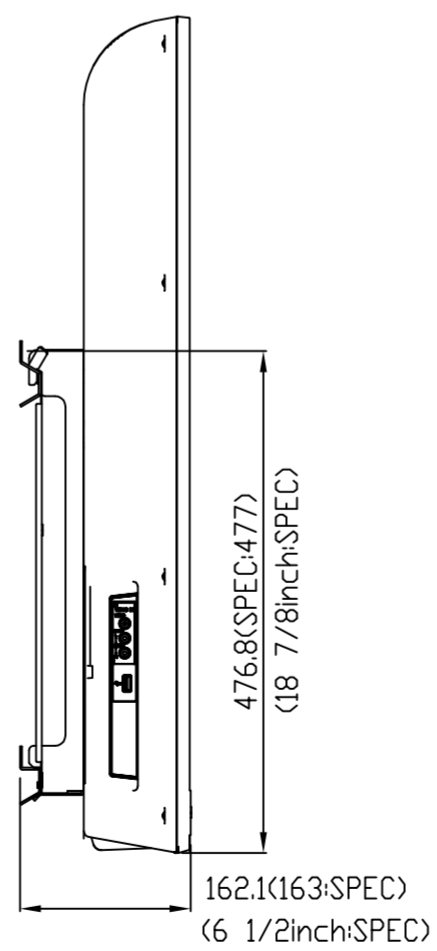
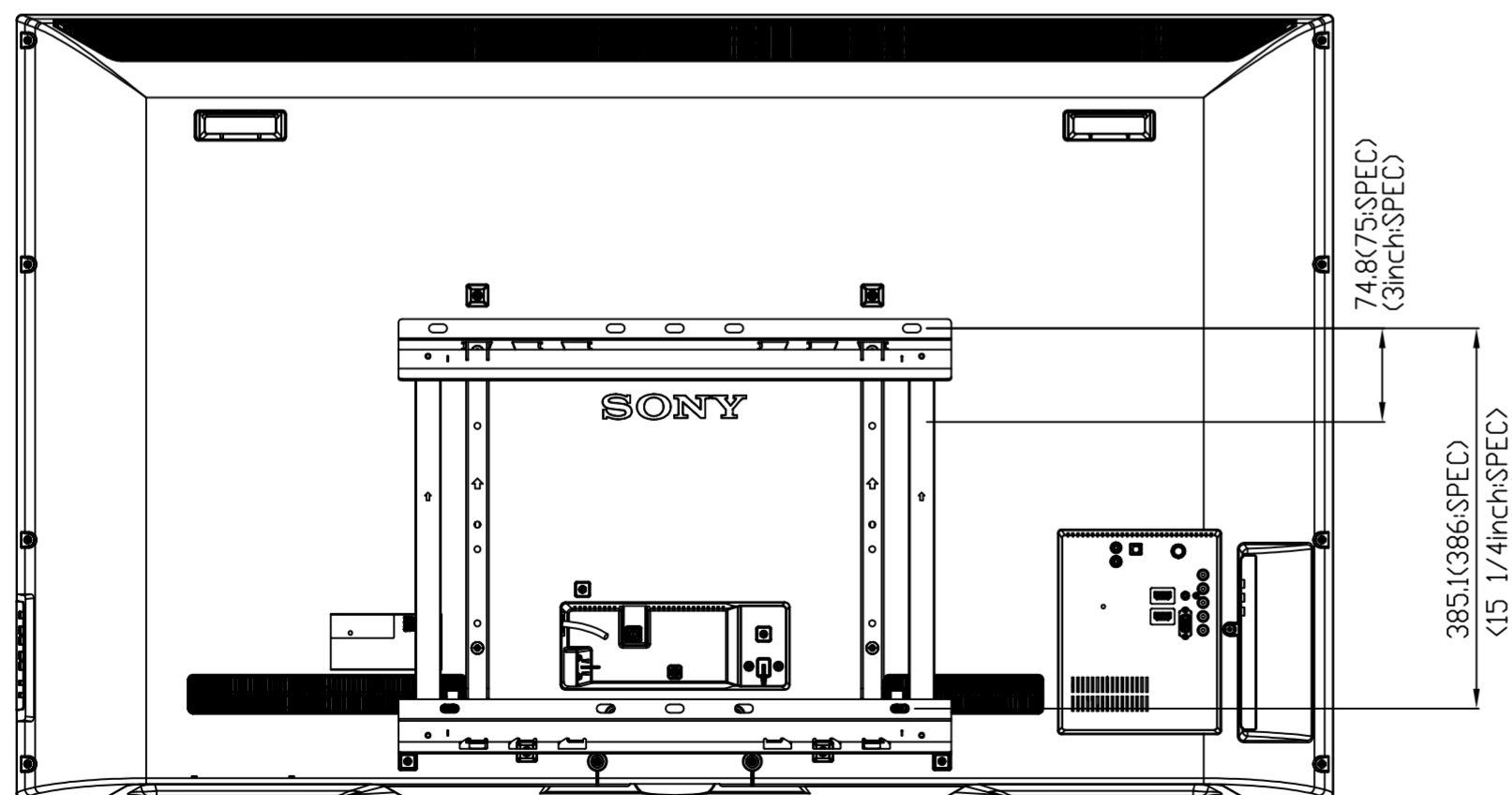
THIS PART SHOULD NOT CONTAIN ANY SUBSTANCES WHICH ARE SPECIFIED IN SS-00259-01.  
PURCHASE RECYCLED RESINS AND WIRE RODS ONLY FROM THE BUSINESS PARTNERS THAT SONY APPROVES AS GREEN PARTNERS.

UNIT	TOLERANCE	USED ON	RANK
mm			
ANGLE			FAMILY
SCALE	0.2		ORIGINAL MODEL
		MATERIAL (COLOR)	FINISH (COLOR)
		TITLE/DESCRIPTION	
CORRECT CARTON SIZE		ID 55(BX550)EXTERIOR VIEW	
HISTORY SHEET	ECN-NO.	REVISION	SIGN.
DRAWN BY	PLANNED BY	CHECKED BY	APPROVED BY
DATE	DATE	DATE	DATE
	INITIALS	INITIALS	INITIALS
	PART NO.	PART NO.	PART NO.
			SHEET 1/2

# SU-WL500



# SU-WL500B



DRAWING

SONY STANDARD

SCALE	TITLE/DESCRIPTION	55(BX550)EXTERIOR VIEW	Part No.	SHEET
0.2		55(BX550)EXTERIOR VIEW	-	2/2
ISSUED				Proj/E A/DH